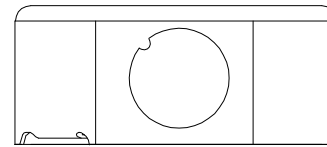
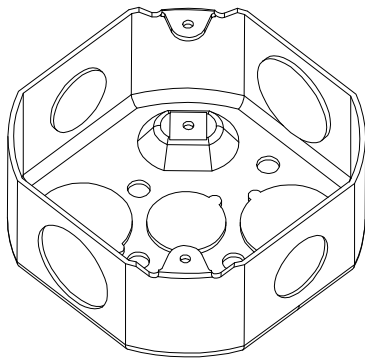
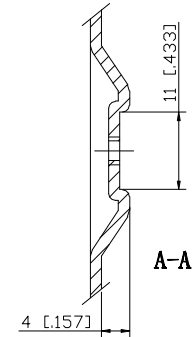
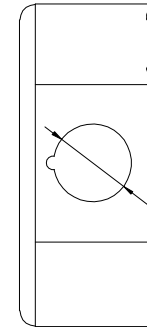
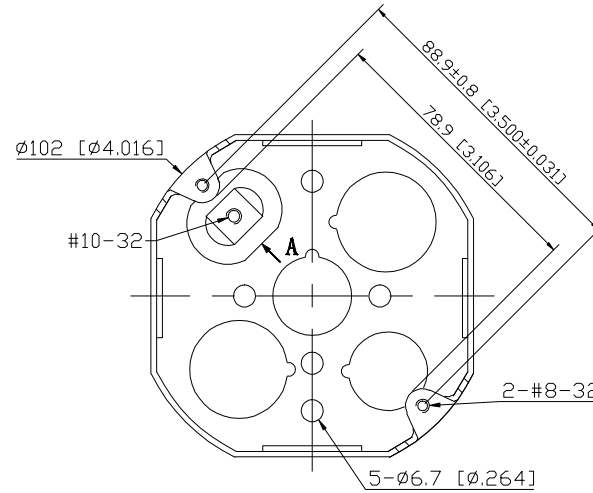
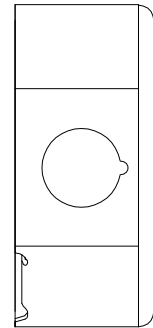
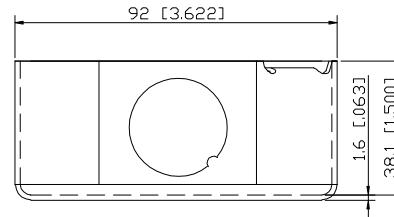


# ELECTROLINE

## Cat.# E-L 278



4×4×1-1/2"  
(4"B-1/2"&3/4")

1.6mm