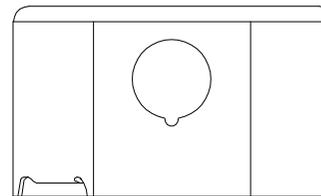
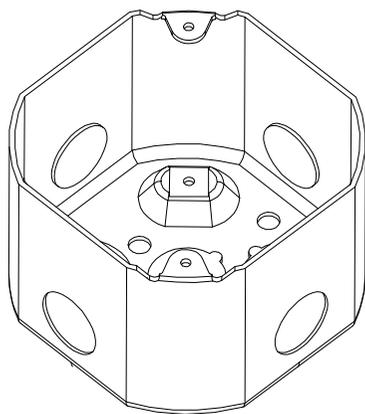
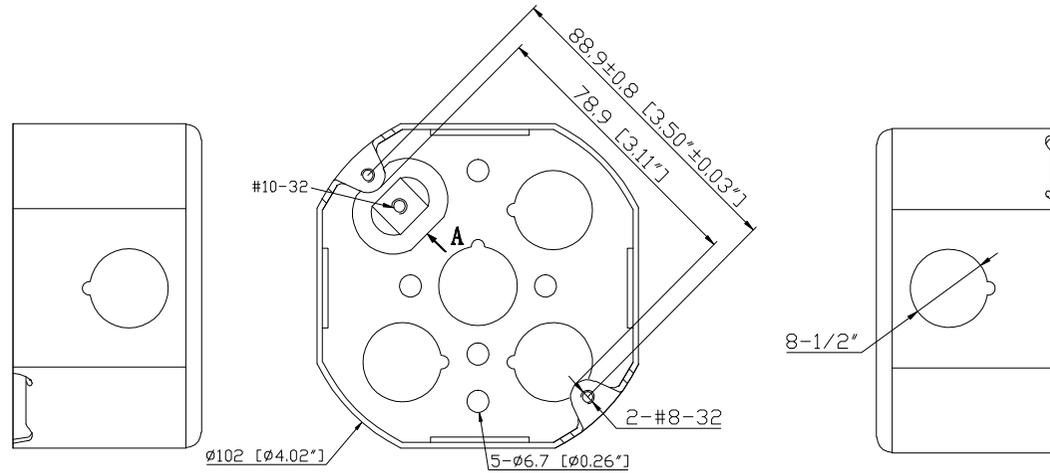
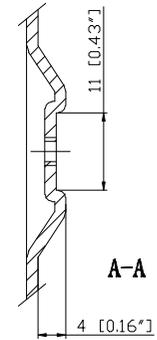
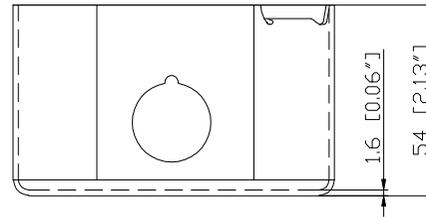


# ELECTROLINE

## Cat.# E-L 288



4×4×2-1/8"  
(4"B-1/2")

1.6mm