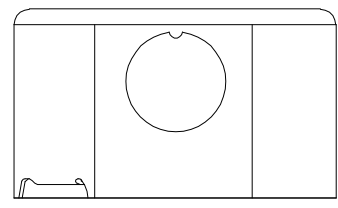
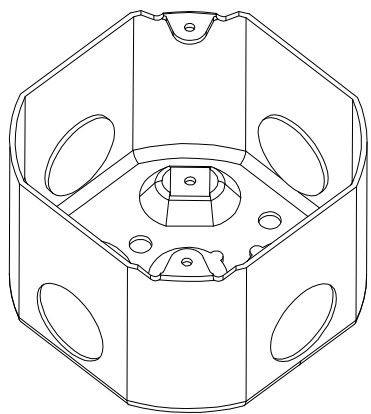
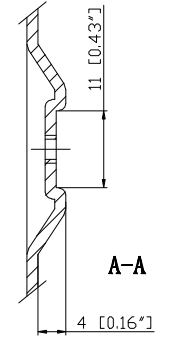
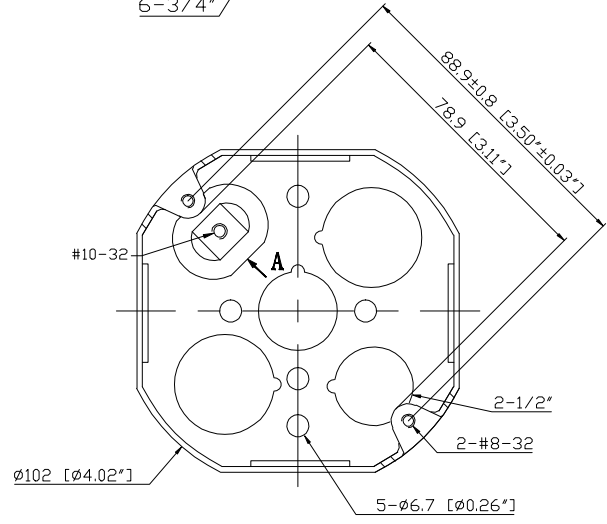
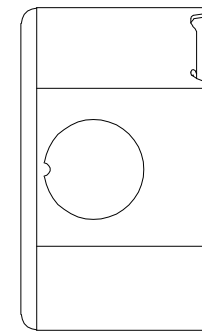
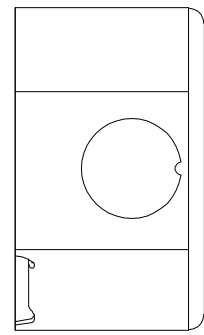
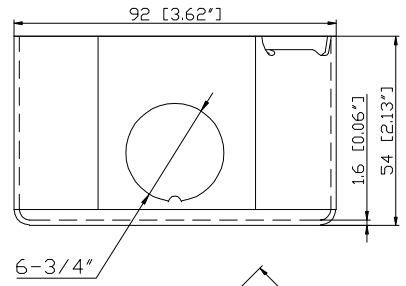


ELECTROLINE

Cat.# E-L 290



4" × 4" × 2-1/8"
(4"B-3/4")
1.6mm