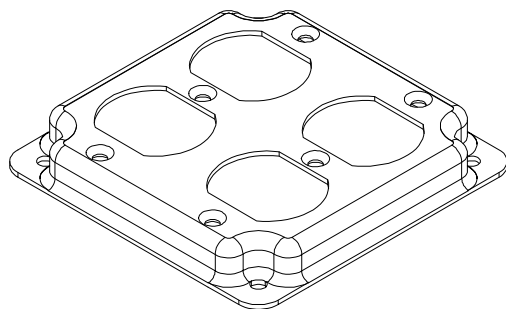
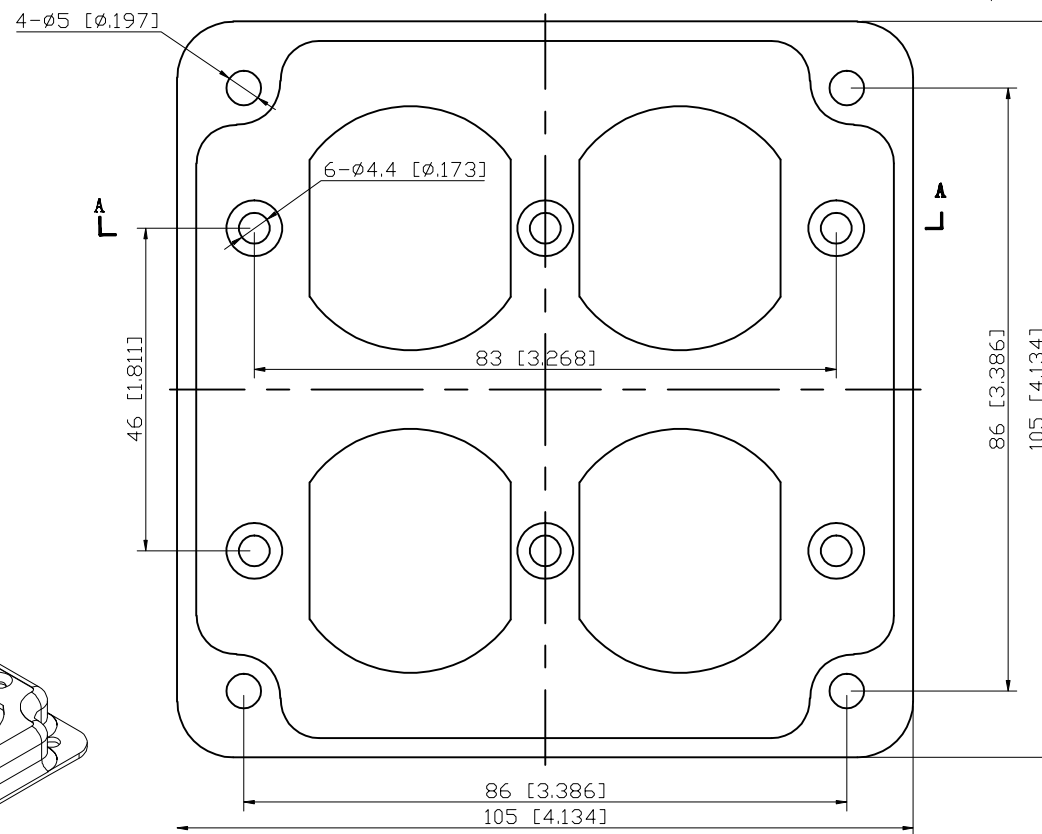
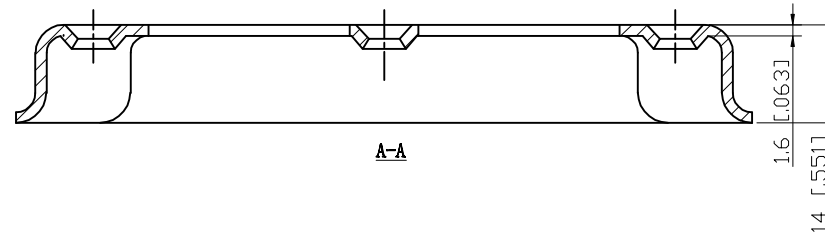


ELECTROLINE

Cat.# E-L 510



4" X 4"
1.6mm