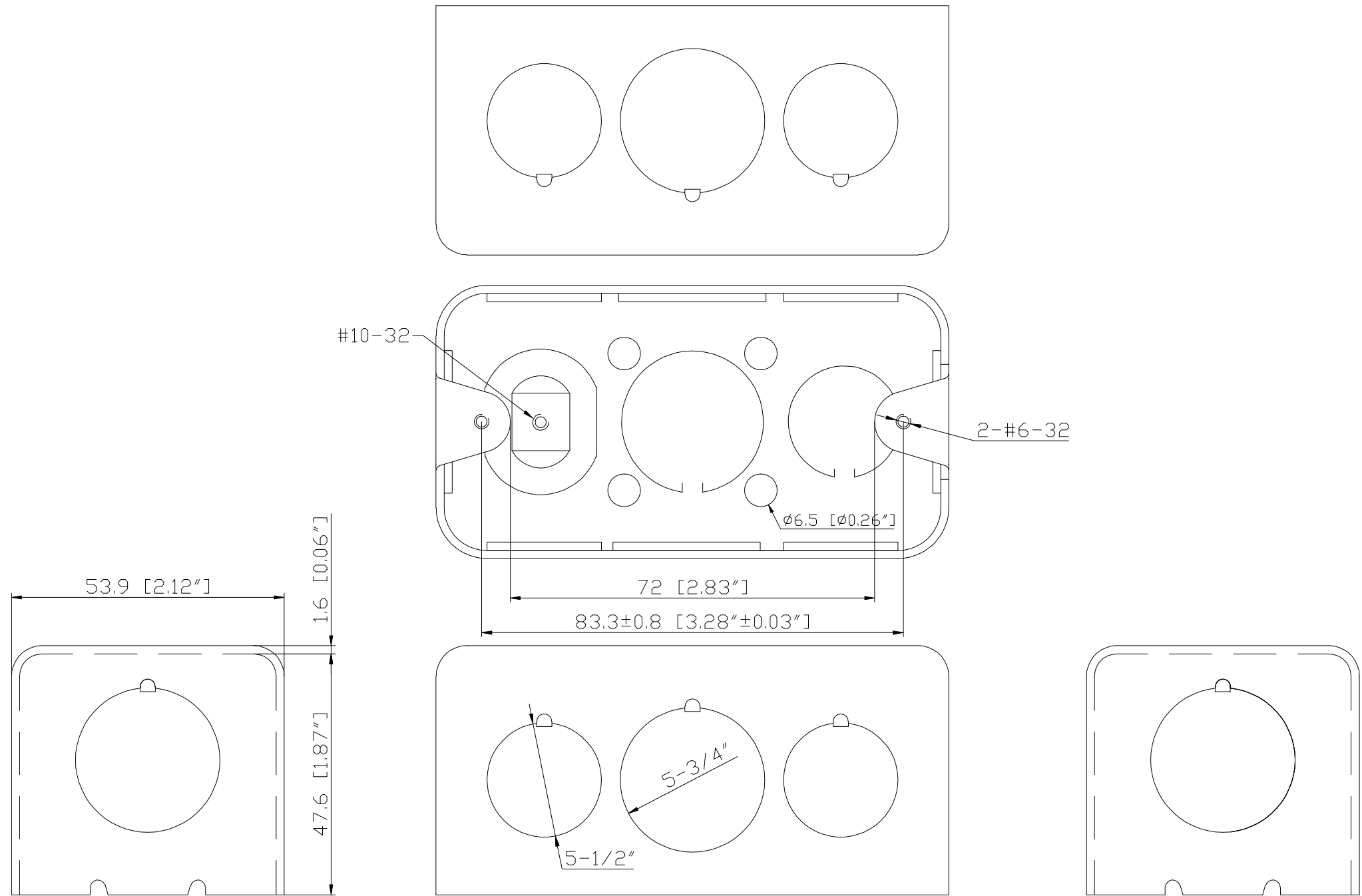


**ELECTROLINE**  
**Cat.# E-L 595**



**4" × 2-1/8" × 1-7/8"**  
**(4"C-1/2"&3/4")**  
**1.6mm**

