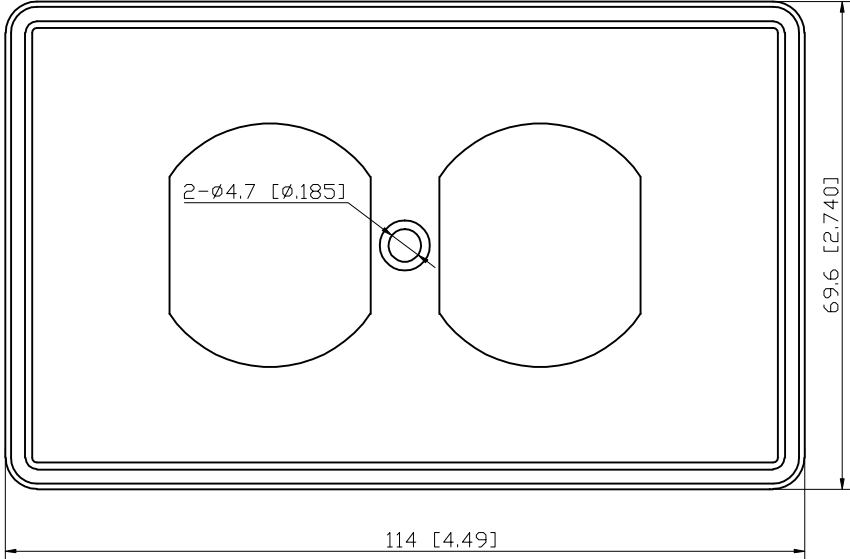


# ELECTROLINE

Cat.# E-L 616



4" X 2"  
0.8mm

